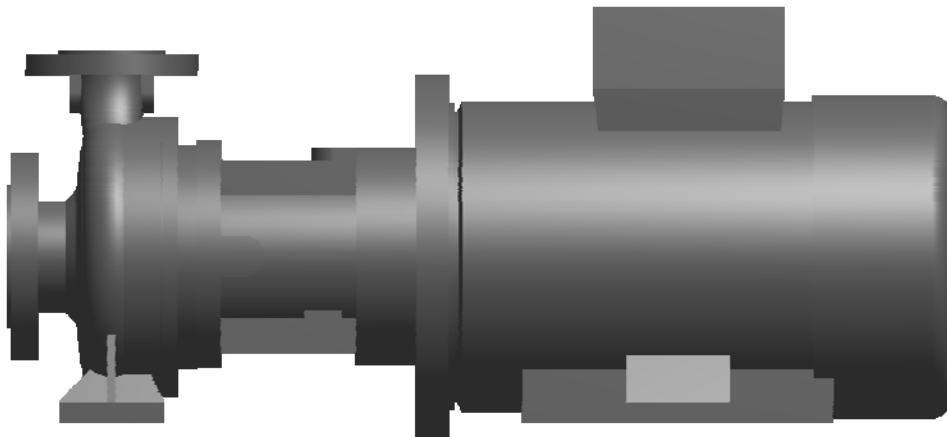


Operating / Installation Instructions

KMB

No. 44.KMB.E5.12/10



Original Manual



DICKOW PUMPEN KG





Table of Contents

Table of Contents	2
1. General.....	4
2. Safety	5
2.1 Designation of Warning Notices	5
2.2 Intended use.....	6
2.3 Avoidance of foreseeable operating errors.....	6
2.4 Qualification of personnel	7
2.5 Additional safety regulations.....	7
2.6 Safety instructions for the operator / user.....	7
2.7 Safety instructions for maintenance, inspection and assembly	8
2.8 Non-observance of the instruction manual.....	8
2.9 Notices on explosion protection	8
2.10 Magnet coupling.....	11
3. Description.....	12
3.1 General description.....	12
3.2 Design code	12
3.3 Pump sizes	12
3.4 Identification	13
3.5 Design.....	14
3.6 Scope of supply	15
3.7 Dimensions and Weights.....	15
4. Handling / Storage / Disposal	16
4.1 Handling	16
4.2 Storage / Preservation.....	17
4.3 Return of pump.....	17
4.4 Disposal	18
5. Installation / Mounting	19
5.1 Safety Instructions	19
5.2 Foundation.....	19
5.3 Installation of pump unit	20
5.4 Piping	20
5.5 Insulation	23
5.6 Electrical connection of the pump unit.....	24
6. Commissioning / Decommissioning.....	26
6.1 Commissioning.....	26
6.2 Operating the pump	28
6.3 Impeller trimming.....	29
6.4 Operating limits	29
6.5 Switching off the pump	30
6.6 Decommissioning.....	31
7. Maintenance / Servicing / Inspection	32
7.1 Safety regulations	32
7.2 Operating surveillance.....	33
7.3 Drainage and Disposal.....	34
7.4 Disassembly of pump unit.....	35
7.5 Inspection	40
7.6 Assembly of pump unit	41
7.7 Bolt torques	44
8. Trouble Shooting	45



Table of Contents

9.	Interchangeability	47
10.	Sectional Drawings.....	48
10.1	Standard execution	48
10.2	Execution with heating jacket	49
11.	Certificates	50
11.1	EC-Declaration of Conformity.....	50
11.2	Document of Compliance.....	51



1. General

This instruction manual describes the proper and safe usage of the pump during all operating phases.

The instruction manual does not consider local regulations. Adherence to those is the responsibility of the owner.

The name tag states pump type and size, the most important operating data as well as the pump serial number. The serial number is a precise description of the pump unit and serves as identification for all following procedures.

In the event of damage the Customer Service of Dickow Pumpen must immediately be informed in order to maintain guarantee claims.

For installation of supplied interchangeable units, the respective subchapters of "Maintenance, Servicing, Inspection" must be observed.

Applicable documents:

- Pump data sheet
- Dimensional drawing
- Sectional drawing
- Parts lists
- Sub-supplier documentation



2. Safety

The manual includes basic instructions for installation, operation and maintenance. Only if these instructions are strictly observed, a safe handling of pump or pump unit is guaranteed and personal injury and material damage is avoided.



All the safety instructions in this manual must be considered.

This manual must be thoroughly reviewed and completely understood by the qualified personnel / operator before attempting assembly and start-up.
The manual must consistently be available on site.

Indications and plates attached to the pump must be followed and kept in legible condition.




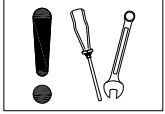

2.1 Designation of Warning Notices

Signal word	Explanation
DANGER	signifies an imminent danger. If it will not be avoided, death or severe injury are the consequence.
WARNING	signifies a possibly dangerous situation. If it will not be avoided, death or severe injury may be the consequence.
CAUTION	signifies a possibly dangerous situation. If it will not be avoided, slight or minor injury may be the consequence.
ATTENTION	signifies a possibly harmful situation. If it will not be avoided, danger for the pump and its function may be the consequence.

Symbol	Explanation
	General danger sign Together with a signal word, it signifies dangers in connection with death or injury.
	Dangerous voltage Together with a signal word, it signifies dangers in connection with voltage.



2. Safety

	<p>Warning from magnetic field Together with a signal word, it signifies dangers in connection with magnetic fields.</p>
	<p>Hot surface Together with a signal word, it signifies dangers in connection with hot surfaces.</p>
	<p>Explosion protection Gives information on protection from explosion development in hazardous area according to EC-Directive 94/9/EG.</p>
	<p>Mechanical breakdown Together with the signal word ATTENTION, it signifies dangers for the pump and its function.</p>
	<p>Notice Provides recommendation and useful information for handling the product.</p>

2.2 Intended use

The pump / pump unit may only be operated in the application area which is described in the relevant pump data sheet. This applies for instance to pumped liquid, flow, speed, pressure, temperature and motor power. Further points to be observed:

- Operate pump in technically faultless condition only.
- Never operate pump if not completely assembled.
- Never operate pump without liquid.
- Observe the pump data sheet / operating manual regarding the minimum flow.
- Observe the pump data sheet / operating manual regarding the maximum flow.
- Never throttle pump on suction side.
- Maximum speed is 2900 rpm (+10%) at 50 cycles and 3500 rpm (+10%) at 60 cycles.

2.3 Avoidance of foreseeable operating errors

- Never open shut-off valves in excess of the allowable range. This would cause exceedance of the maximum flow and possible cavitation damage.
- Never exceed the allowable application limits regarding pressure and temperature which are specified in the pump data sheet.
- Consider and adhere to all safety instructions and other notices mentioned in the operating manual.



2.4 Qualification of personnel

The personnel must possess the relevant qualification for assembly, operation, maintenance and inspection of the pump unit.

Responsibility, competence and supervision must be strictly regulated by the owner.

Skill of the personnel shall be improved by training. Training course can be held by the technical staff of Dickow Pumpen.

2.5 Additional safety regulations

Besides the safety instructions mentioned in this manual, the following additional regulations apply:

- Accident prevention regulations
- Explosion proof regulations
- Safety regulations for handling hazardous materials
- Applicable standards and laws

2.6 Safety instructions for the operator / user

- Protection against contact with hot and cold components must be provided by customer.
- Coupling guard and hand guard on the pump / pump unit must not be removed during operation.
- Pump must always be earth connected / grounded.
- Protective equipment for personnel must be provided and used.
- Toxic liquid leakage must be drained off safely, without endangering individuals and environment. Legal requirements must be observed.
- Danger through electric energy must be excluded.



2.7 Safety instructions for maintenance, inspection and assembly

- Alteration works or modifications on the pump are only allowed after consulting Dickow Pumpen.
- Only original parts or parts approved by Dickow shall be used.
- Repairs on the pump / pump unit may only be done during shutdown.
- The pump casing must have cooled down to ambient temperature.
- The pump must be depressurized and drained.
- Consider the procedure for decommissioning according to chapter 6.6.
- Pumps handling products dangerous to health must be decontaminated according to chapter 4.4
- Coupling guard and hand guard must be mounted again after completion of the works.
- Works on the pump unit may be done only with disconnected electricity.
- Secure the pump unit against unintentional switch-on.

2.8 Non-observance of the instruction manual

Non-observance of this manual leads to loss of warranty and damage claims. Non-observance will involve the following risks:

- Endangering of individuals through electrical, thermal, mechanical and chemical impacts.
- Danger through explosions.
- Danger through breakdown of essential functions.
- Endangering of environment through leakage of toxic liquids.

2.9 Notices on explosion protection

DANGER

Operation in explosive areas requires stringent attention to this chapter.



- Only pumps with “Ex”-identification are allowed to be used in explosive areas.
- Pumps must be designated for this service in the pump data sheet.
- Intended use must be guaranteed.
- Inadmissible operating conditions must be avoided in any case.
- Special conditions apply for operation in compliance with EC-Directive 94/9/EC (ATEX). The “Ex”-symbol shown here marks the chapters in this manual which require special attention.



2. Safety

2.9.1 Surface temperature

The highest surface temperatures are to be expected at the pump casing and at the containment shell. The surface temperature of the pump casing is equal to the temperature of the pumped liquid.

The surface of the motor lantern must be open to the atmosphere. Insulation of the motor lantern is not allowed. The containment shell temperature can be determined with Figure 1 and the following formular.

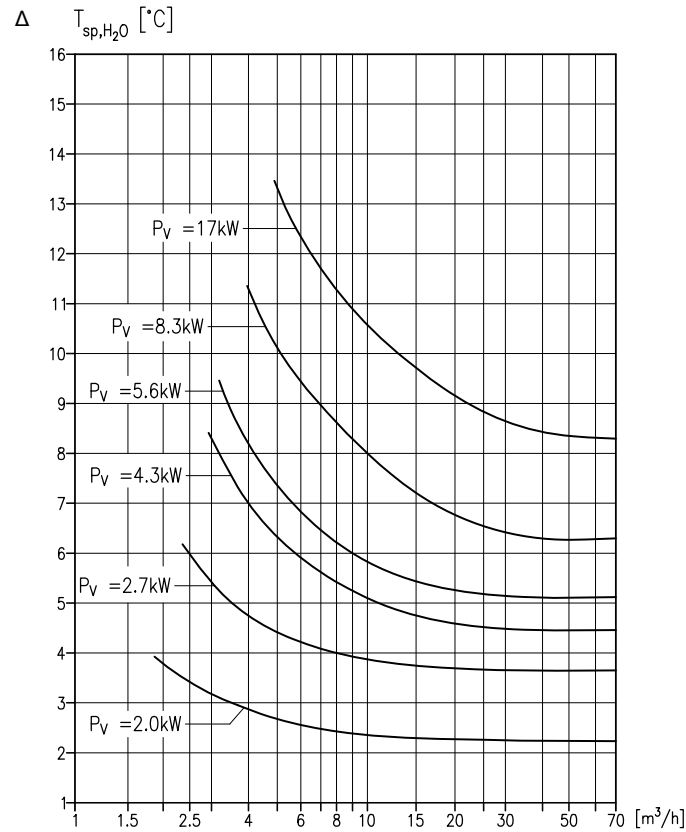


Fig. 1: Containment shell temperature as a function of magnet losses P_v based on water

$$T_{sp,liquid} = T_E + \Delta T_{sp,H_2O} \times \frac{c_{H_2O}}{c_{liquid}} \times \frac{\rho_{H_2O}}{\rho_{liquid}}$$

T_E = inlet temperature of product at suction flange

$\Delta T_{sp,H_2O}$ = refer to Figure 1

c_{H_2O} = specific heat capacity of water = 4,187 kJ / kgK

c_{liquid} = specific heat capacity of handled liquid [kJ / kgK]

ρ_{H_2O} = density of water = 1 kg / dm³

ρ_{liquid} = density of handled liquid [kg / dm³]



NOTE



If pumps are equipped with ceramic or PEEK containment shell, no magnet losses P_v will occur.

The surface temperature at the containment shell is equal to the temperature of the handled liquid.

2.9.2 Monitoring devices

The pump may only be operated within the limits given in the pump data sheet and on the name tag. In case the owner cannot maintain the operating limits, monitoring devices are required. The following risks must be considered:

- **Plugging of internal circulation channels**
The inner liquid filled area of the magnet coupling is cooled by an internal circulation. Interruption of this internal circulation through certain properties (e.g. polymerization) of the product can cause an inadmissible temperature rise.
- **Desynchronisation of the magnet coupling**
Overstressing, overheating or non-observance of the design data may result in desynchronisation of the magnet coupling. The generated heat energy may cause temperature rise of the containment shell.
- **Solids between inner magnet and containment shell**
Large solids may become wedged between inner magnet and containment shell and cause inadmissible temperature rise at the containment shell through friction.
- **Product leakage**
If a containment shell is damaged (= rare failure) and leaking product can endanger the environment, a leakage monitor should be provided.
Interaction with adjoining materials must be considered.
- **Operation below the minimum flow**
- **Operation above the maximum flow**

The following monitoring devices can be supplied:

- Level limit switch to avoid dry running.
- Temperature monitoring of the containment shell for controlling elevated temperatures in the containment shell.
- Power monitor for controlling minimum flow and/or maximum flow and detection of dry run and desynchronisation of the magnet coupling.
- Monitoring of the inner area of the bearing bracket to detect leakage due to containment shell damage.



2.10 Magnet coupling

DANGER

Strong magnetic field from the area of the magnet coupling or from single magnets.



Danger to life for individuals with pace maker !

Disturbance of magnetic data media, electronic devices, components and instruments!

Uncontrolled attractive force between magnetic components, tools etc.!

- A safe distance of 0,3 m minimum must be maintained.

The safe distance refers to inner and outer magnets which are not yet installed in the pump.

In mounted condition, the magnetic field is completely shielded. There is no danger through magnetic fields from an assembled pump. This refers also to pace makers.



3. Description

3.1 General description

This pump is used where ever sealless design is required. This applies for instance to dangerous, explosive, toxic and other liquids harmful to the environment which are handled in the chemical, petrochemical and general industry.

3.2 Design code

Example: KMB b h 32/210 A 2 / 1,0 / 36 / 1 / 2

	Pump code
KMB	pump type
b	special design ; e.g. b = heating jacket
h	material execution ; e.g. h = 1.4408 / 1.4571
32	nominal width discharge [mm]
210	nominal impeller diameter [mm]
A	scope of supply ; e.g. A = bare shaft pump
Magnet code	
2	material ; e.g. 2 = rotor 1.4571+ containment shell 2.4610
1,0	wall thickness containment shell [mm]
36	magnet length [mm]
1	circulation ; e.g. 1 = internal
2	sleeve bearing design ; 2 = shrink fitted

3.3 Pump sizes

- 26/125
- 26/170
- 26/210
- 32/165
- 32/210
- 40/125
- 40/165
- 40/210
- 50/165
- 50/210



3.4 Identification

3.4.1 Name tag

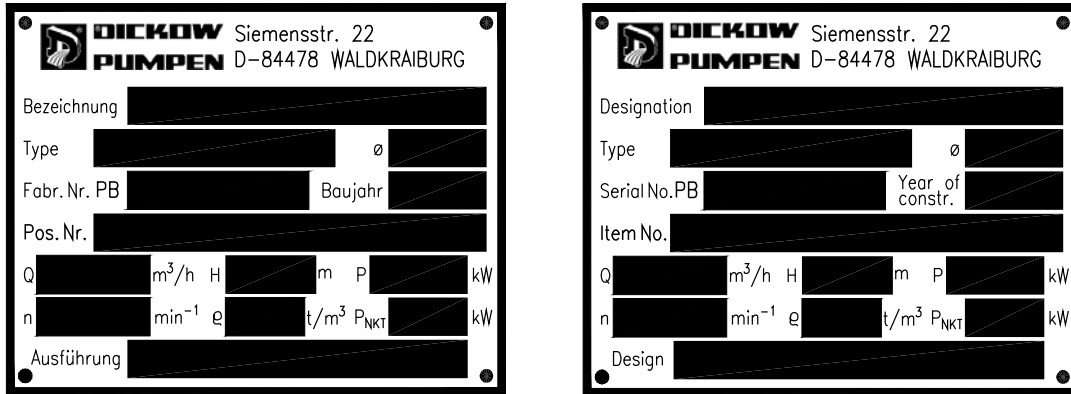


Fig. 2: Name tag German and English

3.4.2 Identification acc. to EC-Explosion Proof Directive

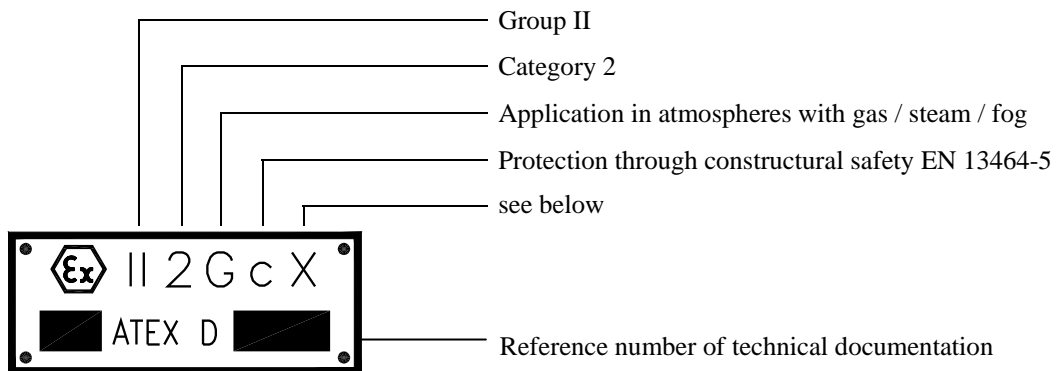


Fig. 3: ATEX-Name tag

The surface temperature does not depend on the ignition source, but on the temperature of the pumped liquid. There is no identification with a temperature class or a temperature. The symbol "X" is integrated in the identification. Chapter 2.9.1 refers to the arising surface temperatures. (Consider the notes on the pump data sheet)



3.5 Design

Design

- volute casing pump
- horizontal installation
- single stage
- compliance with requirements of ISO 15783
- casing dimensions according to EN 22858
- close coupled design

Pump casing

- single volute
- radially split
- cast-on feet

Impeller

- closed
- back vanes, injection slots and/or relief holes for thrust load balance

Bearing

- pump end: product lubricated sleeve bearings

Shaft sealing

- magnet coupling

3.5.1 Magnet coupling

The drive power is transmitted by the motor - through the magnetic field lines - via the outer magnets to the inner magnet coupling. The inner and outer magnets are tied together through magnetic field lines and are therefore synchronized. No slip exists, the motor speed complies with the coupling speed.

The pump shaft with impeller and driven inner magnet is carried by wetted sleeve bearings. The SiC components have an almost unlimited service life as long as a stable fluid film is available between the sliding surfaces.

The heat in the metallic containment shells, generated through eddy currents, is dissipated through an internal circulation flow. The internal circulation is an additional safety against exceedance of boiling point in the magnet chamber and serves as a lubrication of the sleeve bearings.



3. Description

3.6 Scope of supply

Depending on the pump execution, the following items belong to the scope of supply:

- Pump
- casted base plate respectively welded frame of rigid design
- Drive motor
- Special accessories if required

3.7 Dimensions and Weights

Dimensions and weights can be taken from the foundation plan / dimensional drawing.



4. Handling / Storage / Disposal

4.1 Handling

DANGER

Slipping of pump / pump unit from its suspension.

Danger of life through components falling down!



- Lift the pump / pump unit only in horizontal position.
- Never hang up the pump unit on the ring screw of the motor.
- Do not stay underneath floating loads.
- Consider weight indications in the dimensional drawing.
- Observe the local accident prevention regulations.
- Use suitable and approved lifting accessories.

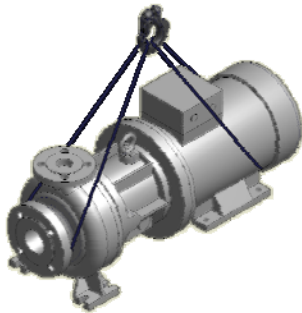


Fig. 4: lifting the pump

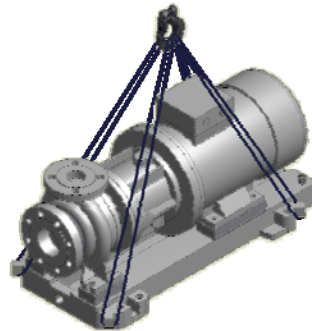


Fig. 5: lifting the complete pump unit
(standard baseplate)

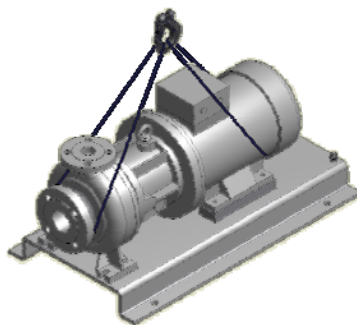


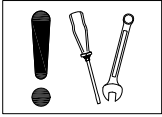
Fig. 6: lifting the complete pump unit
(bend formed baseplate)



4.2 Storage / Preservation

ATTENTION

Damage during storage through moisture or dirt.

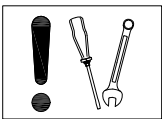


Corrosion and / or contamination of the pump !

- Outside storage requires a watertight cover over pump or over packed pump and accessories.

ATTENTION

Wetted, contaminated or damaged openings and joints.



Leakage or damage of the pump !

- Plugged openings should be uncovered only during installation.

The following measures are recommended for storage of the pump / pump unit:

- Store the pump in a sheltered dry place with constant air humidity.
- Turn the shaft manually once a month.

New pumps of material GGG (ductile iron) and ferritic cast steel are covered inside with anti-corrosive agent and dewatering-fluid. The maximum dry storage period is 12 months.

For storing a pump that has been in operation already, consider chapter 6.6.

4.3 Return of pump

- Drain the pump properly considering chapter 7.3.
- Rinse and clean the pump in general, especially when handling dangerous, explosive, hot or other risky liquids.
- A Document of Compliance completely filled in must always be attached to the pump. Refer to chapter 11.2.

NOTE

If required, a Document of Compliance can be downloaded under www.dickow.de.



<http://www.dickow.de/unbedenk-en.pdf>



4.4 Disposal

WARNING**Liquids dangerous to health**

Danger for individuals and environment !

- Collect and dispose rinsing water and residual liquid.
- Wear protective clothing and face mask.
- Consider the legal regulations for disposal of liquids dangerous to health.

1. Disassemble pump / pump unit.
2. Collect grease and oil.
3. Separate pump materials
4. Dispose according to the local regulations.



5. Installation / Mounting

5.1 Safety Instructions

DANGER

Improper installation in explosive area



Danger of explosion !

- Consider the local applicable explosion proof regulations.
- Consider indications on the pump data sheet and on the name tag of pump and motor.

DANGER

Strong magnetic field from the area of the magnet coupling or from single magnets



Danger to life for individuals with pace maker !

Disturbance on magnetic data media, electronic devices, components and instruments !

Uncontrolled attractive force between magnetic components, tools etc. !

- A safe distance of 0,3 m minimum must be maintained.
- Consider additional notes in chapter 2.10.

5.2 Foundation

WARNING

Installation on weak and unstable foundations



Personal injury and material damage !

- Consider sufficient concrete strength (minimum class XO) of the foundation acc. to DIN 1045.
- Place the pump unit on hardened foundation only.
- Place the pump unit on level and even surfaces only.
- Consider weight indications of dimensional drawing.



5.3 Installation of pump unit

5.3.1 Installation on foundation

1. Place the pump unit on the foundation and align it with a water-level.
Allowable deviation: 0,2 mm/m
2. Insert shims for height compensation. Always insert them both-sided near the foundation bolts between base plate and foundation.
3. If the space between the foundation bolts is > 600 mm, insert additional shims in the middle between the foundation bolts.
4. All shims must seat solidly.
5. Hook the foundation bolts into the provided bore.
6. Concrete the foundation bolts.
7. Align the base plate after concrete has hardened.
8. Tighten the foundation bolts evenly.
9. Pour the base plate with vibration-free concrete of normal graining with a water-cement-value (W/Z-value) $\leq 0,5$. Provide a pourable consistency by using a mobile solvent. Cure of concrete according to DIN 1045.

5.3.2 Installation without foundation

Installation without foundation requires a solid and even ground.

1. Place the pump unit on stilts and align it with a water-level.
2. For height compensation, loosen screws and counter nuts of stilts.
3. Adjust the nut until available height differences are compensated.
4. Fasten the counter nuts of the stilts.

5.4 Piping

DANGER



Exceedance of the allowable loads at the pump flanges

Danger to life from leaking hot, toxic, caustic or flammable liquids.

- Do not use the pump as an anchor point for piping.
- Support piping before the pump and connect it stress-free.
- Consider allowable flange forces and moments according to chapter 5.4.2.
- Compensate expansion of the piping in case of high temperatures.



5. Installation / Mounting

5.4.1 Suction pipe

Layout of suction pipe requires special attention. NPSH Available and NPSH Required must be clearly defined. Pay attention to the following:

- Mounting of elbows close to the pump suction must be avoided. Provide a straight pipe of minimum two suction pipe diameters.
- Never connect a larger suction pipe direct to the pump. Flow eddies reduce the free flow area of the pump. Use an eccentric reducer, consider the figures below.

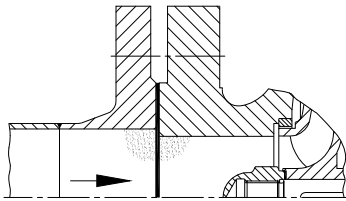


Fig. 7: Flow eddies

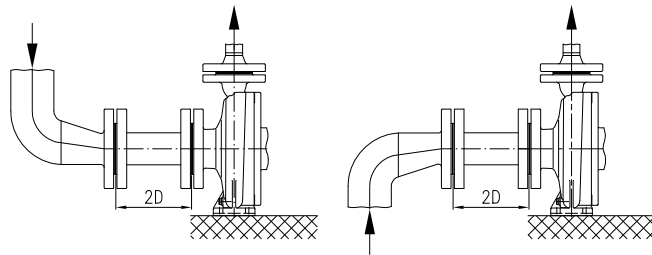
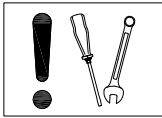


Fig. 8: Reducer connection

- At suction lift conditions, the suction pipe must continuously slope upwards towards pump suction. Eliminate air pockets.
- At flooded suction conditions, the suction pipe must slope gradually downwards to the suction flange. Avoid air pockets to ensure a complete venting.
- Maximum flow speed of 2 m/s must not be exceeded.

ATTENTION



Welding beads, scale and other impurities in the piping.

Damage of the pump !

- Piping must be thoroughly cleaned before connecting the pump.
- Remove impurities from the pipes.
- If required, insert a filter.

NOTE

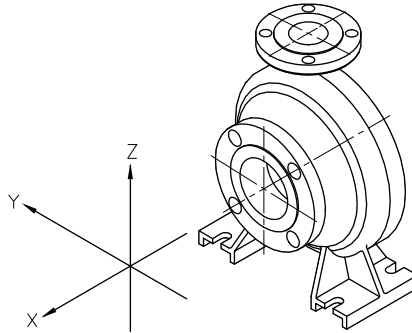


- Use a filter with a mesh width of 0,5 mm.
- Insert filter with a surface of minimum triple the pipe section.



5. Installation / Mounting

5.4.2 Allowable flange forces and moments



pump size	Suction flange																
	DN	Fx [N]		Fy [N]		Fz [N]		Σ F [N]		Mx [Nm]		My [Nm]		Mz [Nm]		Σ M [Nm]	
		GGG	GS	GGG	GS	GGG	GS	GGG	GS	GGG	GS	GGG	GS	GGG	GS	GGG	GS
26/125 - 210	40 1 1/2"	556	875	490	770	445	700	860	1360	580	910	400	630	470	735	840	1330
32/165 - 210	50 2"	735	1155	670	1050	600	945	1150	1820	625	1022	445	700	515	805	910	1430
40/125 - 210	65 3"	935	1470	825	1295	760	1190	1460	2310	670	1050	490	770	535	840	970	1540
50/125 - 210	80 3"	1115	1750	1000	1575	915	1435	1750	2760	715	1120	515	805	580	910	1040	1640

pump size	Discharge flange																
	DN	Fx [N]		Fy [N]		Fz [N]		Σ F [N]		Mx [Nm]		My [Nm]		Mz [Nm]		Σ M [Nm]	
		GGG	GS	GGG	GS	GGG	GS	GGG	GS	GGG	GS	GGG	GS	GGG	GS	GGG	GS
26/125 - 210	25 1"	335	525	315	490	380	595	570	910	400	630	270	420	315	490	570	910
32/165 - 210	32 1 1/2"	400	630	380	595	470	735	730	1150	490	770	335	525	380	595	710	1120
40/125 - 210	40 1 1/2"	490	770	445	700	560	875	860	1360	580	910	400	630	470	735	840	1330
50/125 - 210	50 2"	670	1050	600	945	735	1155	1150	1820	625	980	445	700	515	805	910	1430

Forces and moments are based on 20°C. Temperature dependent correction values are given in the Figure below.

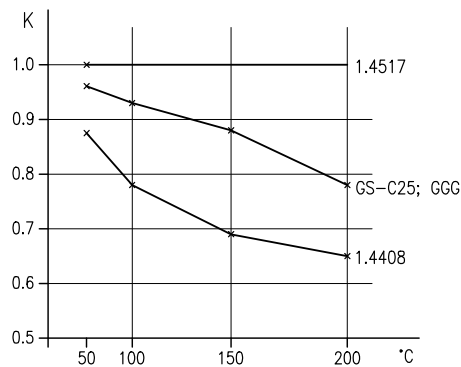


Fig. 9: Temperature correction diagram



5. Installation / Mounting

In case that not all acting loads reach the maximum allowable values, one of these loads may exceed the limit value under the following provisions:

- Exceedance is limited to 1,4 times the allowable value.
- For the actual forces and moments acting on the flange shall apply:

$$\left(\frac{\Sigma/F/_{actual}}{\Sigma/F/_{max. allowable}} \right)^2 + \left(\frac{\Sigma/M/_{actual}}{\Sigma/M/_{max. allowable}} \right)^2 \leq 2$$

5.5 Insulation

WARNING

Wetted casing parts adopt the temperature of the pumped liquid.

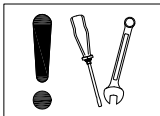


Risk of burns !

- Insulate casing parts
- Attach protective device

ATTENTION

Heat accumulation in the motor lantern



Bearing damage !

- Do not insulate the bearing bracket



5.6 Electrical connection of the pump unit

DANGER



Improper electrical installation

Danger of explosion !

- Electrical installation requires additionally observance of IEC 60079-14.
- Explosion proof motors shall be connected through motor protection switch only

DANGER



Working on the pump unit by unqualified personnel

Danger to life through electric shock !

- Electrical connection must be performed by qualified electrician only.
- Regulations IEC 30364 and IEC 60079 must be considered.

WARNING



Incorrect power connection

Short circuit !

- Adhere to connection conditions of local energy supply companies.

NOTE



Star-Delta starting leads to a high torque increase when switching from star to delta, this can cause decoupling of the magnets. Therefore, star-delta starting is not suitable for magnetic coupled pumps. In order to reduce the starting current, a soft-starter is recommended.

Proceedings:

1. Check for compliance of the available supply voltage with the indications on the motor name tag.
2. Select suitable connection method.
3. Check for identical rotating direction of motor and pump. Consider the rotating direction arrow of the pump !

NOTE



Observe the instruction manual of the motor !



5. Installation / Mounting

5.6.1 Checking rotating direction

DANGER

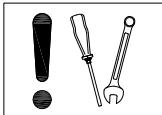


Temperature rise through parts touching each other

Danger of explosion !

- Never check rotating direction with dry pump.

ATTENTION



Wrong rotating direction of motor and pump

Damage of the pump !

- Consider the rotating direction arrow on the pump.

1. Start motor briefly. Note rotating direction of the motor.
2. Rotating direction of the motor must comply with the rotating direction arrow on the pump.
3. In case of wrong rotating direction, change the cables in the motor terminal box.



6. Commissioning / Decommissioning

6.1 Commissioning

The following points must be checked prior to start-up;

- The pump unit is correctly electronically connected to all relevant protective devices.
- The pump is filled with liquid.
- Rotating direction has been checked.
- All additional connections are connected and fully functional.
- After a longer standstill period, the measures mentioned in chapter 7 "Maintenance/Service/Inspection" must be considered and performed.

6.1.1 Filling and venting the pump

DANGER



Formation of explosive atmosphere inside the pump

Danger of explosion !

- The pump must permanently be filled with liquid.
- Appropriate monitoring measures must be provided.

1. Vent and fill up pump and suction pipe with liquid.
Pump is selfventing.
2. Open shut-off valve in suction pipe completely
3. Open all additional connections completely (e.g. external circulation, external flush)



6. Commissioning / Decommissioning

6.1.2 Design with heating jacket

Pump casing and/or containment shell with heating jacket.

Permissible heating agent:

- Hot water
- Steam
- Heat transfer oil

Pressure- and temperature limits:

- $t_{\max} = 200^{\circ}\text{C}$
- $p_{\max} = 25 \text{ bar}$

ATTENTION

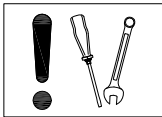


Elevated surface temperature

Danger of explosion !

- Consider the allowable temperature class.

ATTENTION

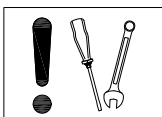


Lack of heating fluid

Damage of the pump!

- Provide sufficient amount of heating fluid.

ATTENTION



Heating period too short

Damage of the pump!

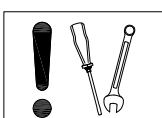
- Consider a sufficient heating period of the pump (approx. 2 hours)
- Check free rotation of the pump shaft.

NOTE



The area between sleeve bearings can be monitored with a PT100.

ATTENTION



Exceedance of the allowable heating fluid temperature

Leak of pumped liquid or heating agent!

- Consider the application limits for pressure and temperature.



6. Commissioning / Decommissioning

6.1.3 Starting the pump

DANGER



Exceedance of allowable pressure- and temperature limits

Danger of explosion !!
Leakage of hot or toxic liquid

- Never operate pump with closed shut-off valves in suction and/or discharge pipe.
- Start-up pump unit only against partially opened shut-off valve on discharge side.

DANGER



Elevated temperature through dry run

Danger of explosion !

- Never operate pump in empty condition.
- Always fill up pump properly.
- Operate pump only within the allowable operating range.

1. Open shut-off valve completely in feed pipe and suction pipe
2. Open shut-off valve partially in discharge pipe
3. Switch on the motor. Pay attention to the synchronicity of pump and motor. Decoupling leads to low differential head and noise in the magnetic coupling.
4. When the pressure gauge indicates pressure, open shut-off valve on discharge side until the duty point is reached.

DANGER



Elevated temperature through decoupling of the magnet coupling

Danger of explosion !

- Switch off pump unit immediately.
- Eliminate cause of malfunction.

6.2 Operating the pump

WARNING

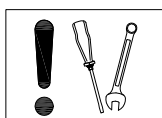


High surface temperatures through hot liquids

Risk of burns !

- Avoid touching the pump surface.
- Wear protective clothing.

ATTENTION



Abnormal noises, vibrations, temperatures or leakage

Damage of the pump !

- Switch off the pump immediately.
- Only restart the pump unit after cause of trouble has been eliminated.

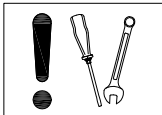


6.3 Impeller trimming

The impellers are hydraulically balanced in order to reduce the thrust load. Additional to the wear rings, thrust load balance is done individually or in combination with

- Back vanes
- Balancing holes
- Injection slots

ATTENTION



Improper impeller trimming

Damage of sleeve bearing through incorrect thrust load balance !

- Impeller trimming shall be done only after consultation with Dickow Pumpen.

6.4 Operating limits

DANGER



Exceedance of operating limits regarding pressure, temperature and speed

Danger of explosion !
Leaking hot or toxic liquid !

- Maintain the allowable service conditions specified in the pump data sheet.
- Avoid operation against closed shut-off valve.
- Never operate pump at a temperature higher than specified in the pump data sheet.

6.4.1 Flow rate

If not stated otherwise in the pump data sheet, the following applies:

$$Q_{\min} = 0,25 \times Q_{\text{opt}}$$

$$Q_{\max} = 1,2 \times Q_{\text{opt}}$$

6.4.2 Switching frequencies

DANGER



Elevated surface temperature of the motor

Danger of explosion !

- When using explosion proof motors, consider the information in the motor manual regarding switching frequencies.



6. Commissioning / Decommissioning

The switching frequencies are defined by the maximum temperature rise of the motor and depend on the power reserve of the motor during operation and on the starting conditions.

NOTE

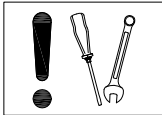


Read instruction manual of motor manufacturer !

6.4.3 Abrasive liquids or solids

If products containing abrasives or solids are handled, increased wear is expected. The inspection intervals in this regard must be shorter than the usual ones.

ATTENTION



Magnetic particles in the pumped liquid

Damage of the magnet coupling !

- Take appropriate measures to keep the containment shell area free of magnetic particles.
- If magnet filter is used, provide differential pressure measurement

6.5 Switching off the pump

1. Keep shut-off valve in suction pipe open.
2. Close shut-off valve in discharge pipe.
3. Switch off the motor and watch for steady run down.

NOTE



In case a non-return valve is installed in the discharge pipe, the shut-off valve can remain open. A counter pressure must be available.

For a longer standstill period, the following must be observed:

- Liquids which tend to polymerization, crystallization or solidification, must be drained completely.
- If required, rinse the pump with a suitable liquid.
- Close shut-off valve in the suction pipe.
- Flush connections must be closed.



6.6 Decommissioning

The pump unit remains in the piping:

- Provide sufficient amount of liquid for the test runs.
- Switch on the pump unit regularly monthly or quarterly.

The pump unit will be dismantled and stored:

- Empty the pump properly.
- Observe the safety instructions acc. to chapter 7.1 / 7.3.
- Spray the inside of the pump casing with preservation agent. Not required for stainless steel pumps.
- Spray preservation agent through suction and discharge flange.
- Plug suction and discharge flanges, e.g. with plastic caps.
- Lubricate all unpainted outside surfaces of the pump with oil and grease free of silicone. Not required for stainless steel pumps.
- Pay attention to additional notes in chapter 4.2.



7. Maintenance / Servicing / Inspection

7.1 Safety regulations

DANGER



Improper maintained pump unit

Danger of explosion !

- Maintain the pump unit regularly
- Establish a maintenance schedule

DANGER



Strong magnetic field in the area of magnet coupling or single magnets

Danger to life for individuals with cardiac pacemakers!

Disruption of magnetic data medium, electric devices, components and instruments!

Uncontrolled attractive force between magnetic components, tools etc. !

- A safe distance of minimum 0,3 m must be maintained..

WARNING



Unintentional switching-on of the pump unit

Risk of injury through moving components !

- Works on the pump unit may be done only at disconnected electricity.
- Secure the pump unit against unintentional switch-on.

WARNING



Hot liquids

Risk of injury!

- Let the pump unit cool down to ambient temperature.

WARNING



Liquids dangerous to health

Risk of injury!

- Consider legal requirements.
- Take safety measures for individuals and environment when draining the pumped liquid.
- Decontaminate the pumps.

The user must assure that maintenance, inspection and assembly is performed by qualified personnel. These persons must have studied this operating manual comprehensively.

A maintenance schedule needs a minimum of effort and may avoid expensive repairs.

Any use of force on the pump unit must be avoided.



7.2 Operating surveillance

DANGER

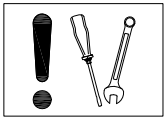


Elevated surface temperature through hot running antifriction bearings

Danger of explosion ! Fire hazard !

- Check antifriction bearings regularly for running noise.

ATTENTION

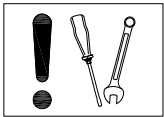


Wear caused by dry run

Damage of the pump !

- Never operate an empty pump unit.
- Never close the shut-off valve in suction pipe during operation.

ATTENTION



Exceedance of the allowable liquid temperature

Damage of the pump !

- Operation against closed discharge valve is not allowed.
- Consider the temperature indications in the pump data sheet..

The following requires regular checking during operation:

- The pump must always run steady and vibration-free.
- Check antifriction bearings for running noise. Vibrations, noises and increased power input are signs of wear.
- Clean the filter in the suction pipe regularly.

7.2.1 Lubrication of sleeve bearings

Sleeve bearings require a stable liquid film. Checking on wear must be done

- after dry run or cavitation.
- when vibrations, noises and power input are increasing.



7.3 Drainage and Disposal

WARNING



Pumped liquids dangerous to life

Endangering for individuals and environment !

- Collect flushing liquid and possible residual liquid and dispose it.
- Wear protective clothing and face masks.
- Consider legal requirements concerning disposal of liquids.

Drainage of pumped liquids through the drain plugs at the casing, through a connected shut-off valve or through a flange.

Mode of drainage and position can be taken from the dimensional drawing !



7.4 Disassembly of pump unit

7.4.1 General instructions

- Pay attention to safety instructions of chapter 7.1.
- Working on the motor requires observance of the documentation provided by the motor manufacturer.
- Consider the sectional drawings when disassembling.
- In case of damage, our service department can be contacted.

DANGER



Working on the pump unit without sufficient preparation

Risk of injury !

- Switch off the pump unit properly.
- Close shut-off valves on suction and discharge side.
- Drain and depressurize the pump.
- Flush connections must be closed.
- Let the pump unit cool down to ambient temperature.

7.4.2 Removal of driver

1. Disconnect the motor.
2. Remove the hold down bolts of the motor from the baseplate.
3. Loosen hexagon nuts 920.7.
4. Pull off the motor with motor lantern 341 and drive rotor 818.1.

WARNING

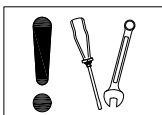


Tilting the motor

Squeezing of hands and feet!

- Secure the motor by lifting or bracing.

ATTENTION



Outer magnets are touching the containment shell

Damage of containment shell or outer magnets!

- Use guide rods.

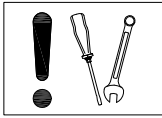


7. Maintenance / Servicing / Inspection

7.4.3 Tools

ATTENTION

Wrong disassembly and assembly tools



Damage of components!

- Use special tools.

In order to facilitate disassembly and assembly as well as to improve protection of sensitive components, the following special tools shall be used:

Designation	Dimensions / size / dwg.No.	for part No.
Disassembling sleeve	60.1903	524
Socket wrench	60.863	921.1
Knipex-plier wrench	46 mm / 1 3/4"	940
Inner hexagon cap screw	M4 x 35	940.3
Inner hexagon cap screw	3x M5 x 35	310
Hex-wrench	size 3, 4	

7.4.4 Disassembly of rotating unit

1. Loosen the motor hold down bolts from base plate.
2. Loosen hexagon nut 920.2.
3. Press the complete rotating unit (2) out off the volute casing 102 by using jack screws.
4. Pull the unit out off the casing and place it beside.

WARNING



Tilting the rotating unit

Squeezing of hands and feet !

- Secure the rotating unit by lifting or bracing.

7.4.5 Disassembly of motor lantern / drive rotor

The works according to chapter 7.4.2 are completed.

1. Loosen inner hexagon cap screws 914.11.
2. Pull off intermediate ring 506 and drive rotor 818.1.
3. Loosen inner hexagon cap screws 914.13.
4. Pull off motor lantern 341.
5. If available, loosen inner hexagon cap screws 914.14 and pull off the intermediate flange 982.



7. Maintenance / Servicing / Inspection

7.4.6 Disassembly of interchangeable unit

The works according to chapter 7.4.2 are completed.

1. Loosen hexagon nuts 920.2
2. Press the complete interchangeable unit (= from impeller to containment shell) out off the volute casing 102 by using jack screws.
3. Pull the unit out off the casing and place it beside.



7. Maintenance / Servicing / Inspection

7.4.7 Disassembly of rotor and sleeve bearing

The works according to chapter 7.4.2 are completed.

WARNING

Possibly available residues of pumped liquid



Danger for individuals and environment !

- Wear protective clothing.

1. Loosen inner hexagon cap screw 914.7.
2. Loosen the clamping flange 511 by jack screws.
3. Pull off containment shell 817.
4. Loosen hexagon nuts 920.2.
5. Detach volute casing 102 from bearing housing 350 by using jack screws.

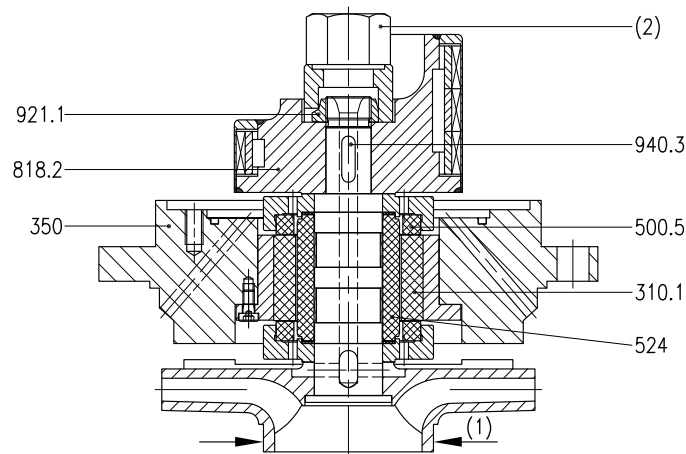


Fig.10: disassembly of rotor

6. Clamp the bearing housing unit in a jaw chuck (1): protect the wear ring seat from damage.
7. Loosen shaft nut 921.1 with socket wrench (2) – see chapter 7.4.3 – (left hand thread).
8. Pull off the rotor 818.2.

WARNING

Axial magnetic forces



Danger of squeezing fingers and hands !

- Use non-magnetic tools only.
- Never place the rotor 818.2 near magnetic components.

9. Remove the upper start-up ring 500.5
10. Pull off the bearing housing 350.
11. Loosen inner hexagon cap screws 914.10.
12. Pull the sleeve bearing 310.1 out off the bearing housing 350.



7. Maintenance / Servicing / Inspection

7.4.8 Disassembly of shaft sleeve

The works according to chapter 7.4.7 are completed.

WARNING

Possibly available residues of pumped liquid

Danger for individuals and environment

- Wear protective clothing



1. Fit the disassembling sleeve – see chapter 7.4.3 – to the shaft sleeve 524 and fasten it.
2. Fit the puller and remove the shaft sleeve.
3. Remove spacer ring 504 and tolerance ring 500.4.
4. Remove the lower start-up ring 500.5.

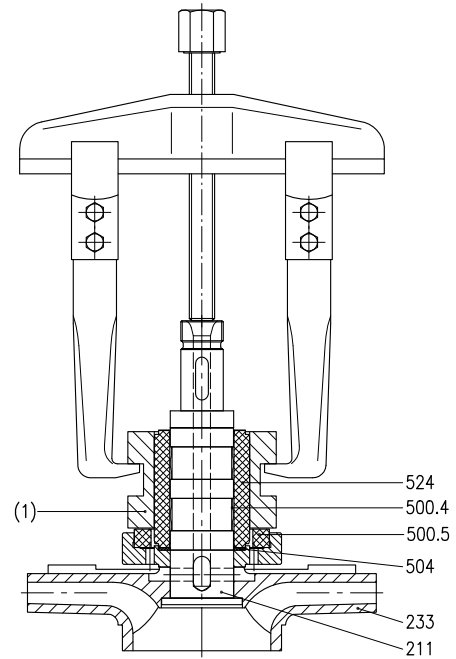


Fig. 11: disassembling sleeve

7.4.9 Disassembly of impeller

The works according to chapter 7.4.8 are completed.

1. Unclamp the unit from jaw chuck.
2. Pull off the impeller 233 from pump shaft 211.



7.5 Inspection

7.5.1 Impeller / Wear ring

The sliding surfaces in the wear ring area may not have any visible grooves. Diameters of sliding surfaces have to be measured. The total clearance in new condition is 0,8 mm. If the clearance exceeds 1,0 mm, the wear rings must be replaced.

7.5.2 Magnet assembly

Driven rotor 818.2

Surface must be free of cracks and bulges. Check parallelism by a bevelled steel edge.

Drive rotor 818.1

Replace outer magnets if mechanical or chemical damage is visible.

Torque capacity

Torques of new magnets are stated in the table below. Magnet length according to pump data sheet or name tag. For magnets that have been in operation a reduction of 10% is allowed. Larger reduction requires exchange of magnet coupling.

Magnet length [mm]	Torque [Nm]
18	19
36	38
54	60

7.5.3 SiC-Sleeve bearings / Shaft sleeves

Measure the diameters of the sliding surfaces. The total clearance in new condition is 0,135 mm.

Replace sleeve bearings if the mentioned clearance is exceeded. The axial clearance between the start-up rings is 1,0 – 1,6 mm.



7.6 Assembly of pump unit

7.6.1 General instructions

- Consider the safety instructions of chapter 7.1.
- Consider the sectional drawings for assembly.
- Use new gaskets only.
- Mount gaskets without lubricants.
- Do not use assembling aid when mounting the gaskets. If necessary, use customary contact adhesive. Never use superglue.
- Lubricate fittings and screw joints with graphite or similar lubricant. Lubricants must be compatible with the pumped liquid.
- Tighten all screws properly. Consider chapter 7.7.
- When mounting the shaft sleeve, use new tolerance rings only.

WARNING

Hitting of rotor against containment shell or of containment shell against coupling half through magnetic forces

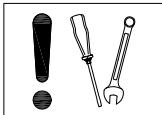


Damage of magnets and bearing !
Risk of injury !

- Strictly follow the assembling instructions.

ATTENTION

Unprofessional assembly

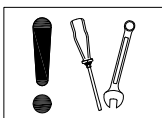


Damage of the pump!

- Assemble pumps / pump units under consideration of the general rules of engineering.
- Only use original spare parts.

ATTENTION

Improper mounting



Damage of outer magnet coupling !

- Use guide rods.

The following must be checked prior to assembly:

- All dismantled parts are cleaned and checked for wear.
- Damaged or worn out parts must be replaced by original spare parts.
- All sealing surfaces are cleaned.



7. Maintenance / Servicing / Inspection

7.6.2 Assembly of impeller and shaft sleeve

1. Slide the impeller onto the pump shaft.
2. Clamp the impeller in a jaw chuck. Protect the wear ring set from damage.
3. Slide the lower start-up ring 500.5 onto the pump shaft.
4. Insert the new spacer ring 504.
5. Insert new tolerance rings 500.4 in the shaft nuts.
6. Fit the disassembling sleeve – see chapter 7.4.3 – to the shaft sleeve and fasten it.
7. Spray the pump shaft in the area of the tolerance rings with graphite.
8. Press the shaft sleeve with a press or drilling spindle onto the pump shaft.

7.6.3 Assembly of rotor and sleeve bearing

The works according to chapter 7.6.2 are completed.

1. Fasten the sleeve bearing 310.1 with inner hexagon cap screws 914.10 to the bearing housing 350.
2. Slide the bearing housing unit onto the pump shaft unit.
3. Slide the upper start-up ring 500.5 with new spacer ring 504 onto the pump shaft.
4. Insert the key 940.3 and press it in by using a Knipex-plier wrench – see chapter 7.4.3.
5. Slide on the rotor 818.2.

WARNING



Axial magnetic forces

Danger of squeezing fingers and hands!

- Use non-magnetic tools.
- Never place the rotor 818.2 near magnetic components.

6. Tighten the shaft nut 921.1 by a hook spanner – see chapter 7.4.3 – (left hand thread).
7. Insert the O-ring 412 in the bearing housing and fit the containment shell 817.
8. Tighten the inner hexagon cap screws 914.7 by a torque wrench.

7.6.4 Assembly of interchangeable unit

Perform the working steps according to chapter 7.6.6.

7.6.5 Assembly of motor lantern / drive rotor

1. If available, fit the intermediate flange 982 to the motor flange and fasten it with inner hexagon cap screws 914.14.
2. Fit the motor lantern 341 and fasten it with inner hexagon cap screws 914.13.
3. Push the drive rotor 818.1 onto the motor shaft.
4. Insert the intermediate ring 506 in the hub bore hole of the drive rotor and fasten it with inner hexagon cap screws 914.11.



7. Maintenance / Servicing / Inspection

7.6.6 Motor assembly

The works according to chapter 7.6.3 and 7.6.5 are completed.

5. Push the bearing housing unit (= interchangeable unit = from impeller to containment shell) into the volute casing.
6. Use new gasket 400.5.
7. Tighten hexagon nuts 920.2 by torque wrench.
8. Fit the motor unit via the guide rods to the bearing housing.

WARNING

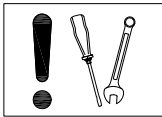


Tilting the pump

Squeezing of hands and feet!

- Secure the pump by lifting or bracing.

ATTENTION



Outer magnets are touching the containment shell

Damage of containment shell or outer magnets!

- Use guide rods.

9. Tighten hexagon nuts 920.7 by torque wrench.



7.7 Bolt torques

	Bolt torque [Nm]	
	8.8 standard screws	A4-70 standard screws
M5	5	4
M6	9	6
M8	22	16
M10	45	30
M12	80	55

Calculation basis:

- 80% Yield strength utilisation of screw material.
- Friction coefficient $\mu = 0,14$; use screw lubricant for threads and head / nut contact surface.
Recommended: Klüber-paste HEL 46-450.
- Torque controlled tightening by torque wrench.

NOTE



Deviating bolt torques are indicated in the pump data sheet.

Bolt torque for screwed plugs (independent of material):

- G 1/4 = 25 Nm
- G 3/8 = 45 Nm
- G 1/2 = 75 Nm

Bolt torque for:

- containment shell screws 914.7 = 40 Nm
- shaft nut 921.1 (M20x1,5; independent of material) = 80 Nm



8. Trouble Shooting

Failure	Number
Pump delivers no or not enough liquid	1
Motor is overloaded	2
Bearing temperature too high	3
Pump is leaking	4
Increased noises and vibrations	5
Inadmissible temperature increase	6
Sleeve bearing damage	7

Failure number							Problem	Elimination
1	2	3	4	5	6	7		
X				X	X		Pump or piping not completely vented or filled	Venting respectively filling
X							Shut-off valve in suction line not completely opened	Open shut-off valve
X							Air pockets in piping system	Correct piping layout Install vent valve
X							Wrong rotating direction	Exchange 2 phases of power supply
X	X						Counter pressure of the pump is higher than specified	Readjust the duty point by discharge valve Increase speed Install a larger impeller
X	X				X		Viscosity of pumped liquid is higher than specified	Consult the factory
X				X			Counter pressure of the pump is lower than specified	Trim the impeller Readjust the duty point by discharge valve
X				X	X	X	NPSHA too low	Check liquid level in suction line Improve NPSHR by inducer Reduce resistances in suction line Open shut-off valve in suction line completely
	X						Wrong speed	Check speed
		X		X			Pump stressed by piping	Check piping connections and pump mounting

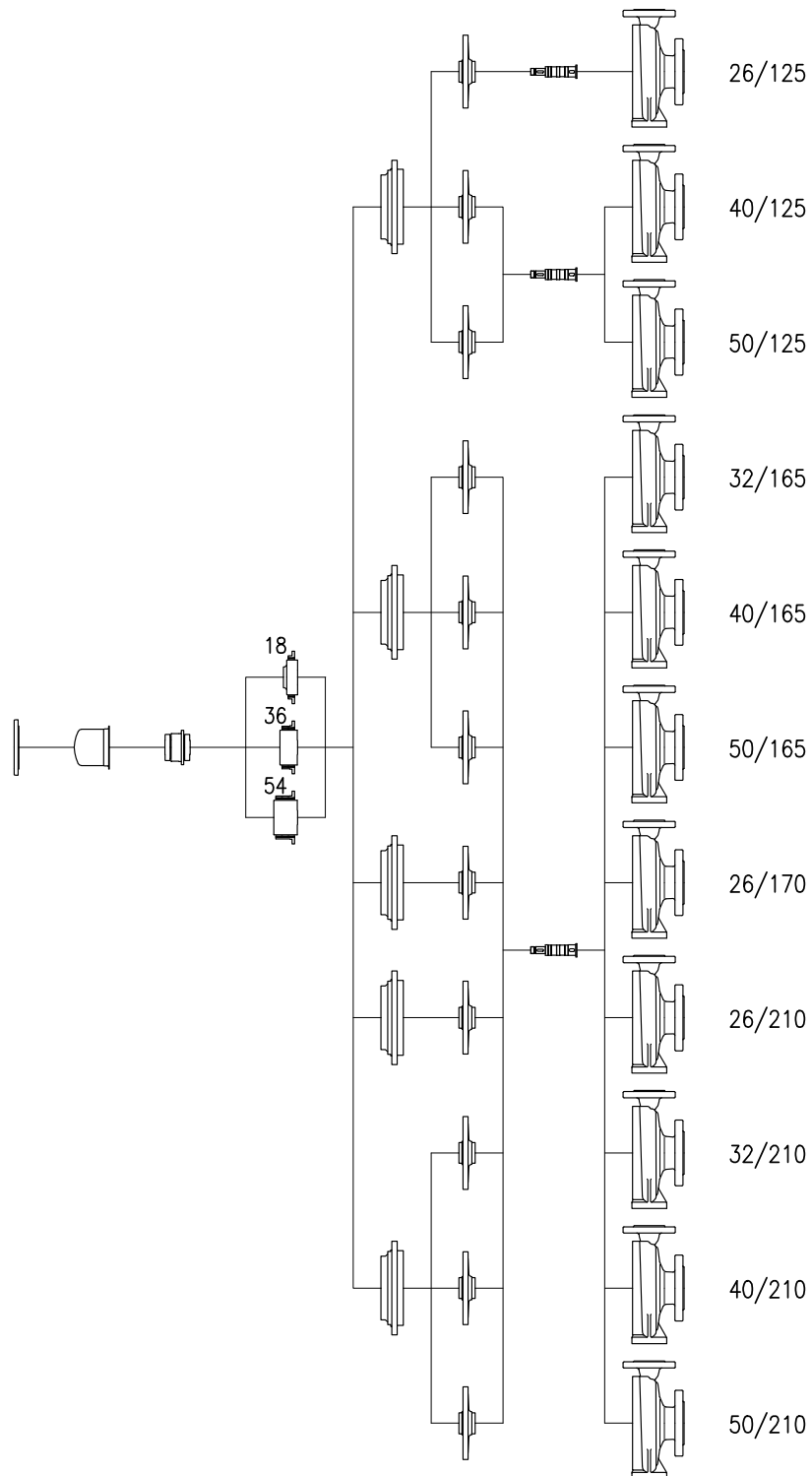


8. Troubleshooting

Failure number							Problem	Elimination
1	2	3	4	5	6	7		
				X		X	Unbalance of rotating parts, e.g. impeller	Balance the parts
			X				Casing screws and screwed plugs loose	Tighten the screws and plugs Renew gaskets
X							Motor is bigger than nominal capacity of magnet coupling	Install smaller motor Consult the factory
X							Star delta starting	Consult the factory
X					X	X	Torque of magnet coupling devalued	Check torque
				X	X	X	Rated flow too low	Increase rated flow
X				X	X		Magnet coupling decoupled	Shut down the motor and restart Check start-up safety Consult the factory
				X		X	Increased thrust load	Check wear ring clearance Consult the factory
					X	X	Boiling point exceedance in containment shell area	Temperature monitor on containment shell Increase pressure in containment shell Increase minimum capacity



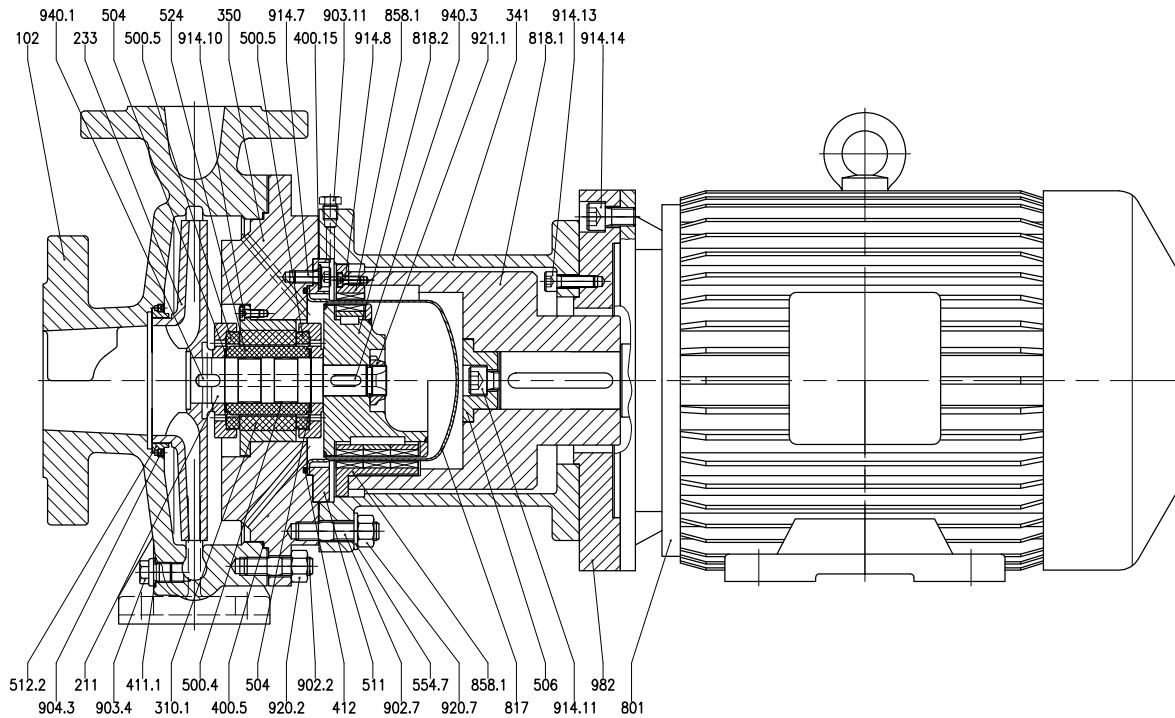
9. Interchangeability





10. Sectional Drawings

10.1 Standard execution

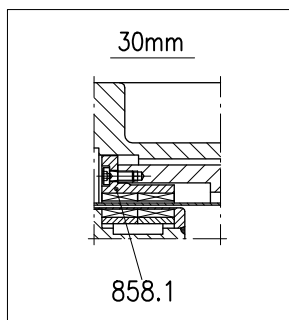


Sectional drawing KMB

Top magnet coupling = 18 mm magnet length

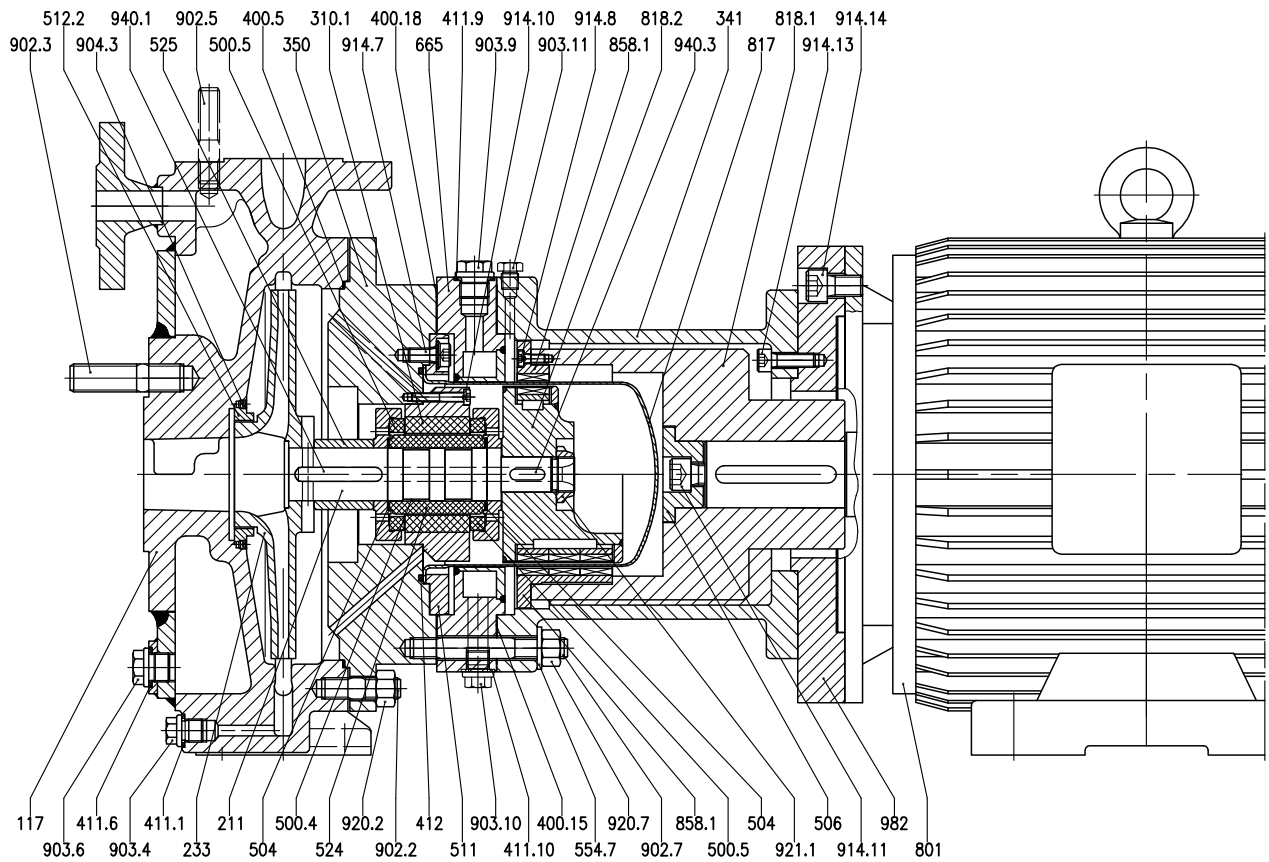
Bottom magnet coupling = 54 mm magnet length

Further possible magnet arrangements:





10.2 Execution with heating jacket





11. CERTIFICATES

11.1 EC-Declaration of Conformity

EC-Declaration of Conformity

according to EC-Machinery Directive 2006/42/EG, Annex II, No. 1A

DICKOW PUMPEN KG
Siemensstraße 22
D-84478 Waldkraiburg

Herewith we declare that the pump unit described in the data sheet

Designation : Centrifugal pump
Type: KMB
Size :
Design:
Serial No.:

is in compliance with all relevant provisions of the EC-Machinery Directive 2006/42/EG.

Applied harmonized standards:

EN 809:1998	EN ISO 12732-1:2008
EN ISO 12100-1:2003	EN ISO 12732-3:2008
EN ISO 12100-2:2003	EN ISO 14121-1:2007
EN 12162:2001	EN ISO 20361:2009

Additionally applied standards and technical specifications:

EN ISO 5199:2002	VDMA 24276:2001
EN ISO 9906:1999	
EN 12723:2000	
EN 22858:1993	


Waldkraiburg,

(Name, Position)

the responsible person is authorized to compile the technical documentation



11.2 Document of Compliance

 DICKOW PUMPEN	Document of Compliance
<p>Please fill in this statement for health innocuousness completely and attach it to the pump to be returned to the factory.</p>	
<p><u>Pump data</u></p>	
<p>Type:</p>	<p>Serial No.: PB</p>
<p><u>Reason for shipment</u></p>	
<p><u>Contamination of the pump</u></p>	
<p><input type="checkbox"/> Hazardous liquids were not handled <input type="checkbox"/> Hazardous liquids were handled</p>	
<p>Pumped liquid:</p>	
<p>The pump has been <input type="checkbox"/> cleaned <input type="checkbox"/> flushed <input type="checkbox"/> breamed</p>	
<p>The following safety measures must be taken before opening/repairing the pump:</p>	
<p><u>Customer data</u></p>	
<p>Company:</p>	<p>Phone:</p>
<p>Address:</p>	<p>Fax:</p>
<p>Name: (Block Letters)</p>	<p>E-Mail:</p>
<p>Name: (Block Letters)</p>	<p>Position:</p>
<p>This is to certify that the above mentioned pump has been proper cleaned/flushed/breamed and repair can be performed without risk.</p>	
<p>Date:</p>	<p>Signature:</p>